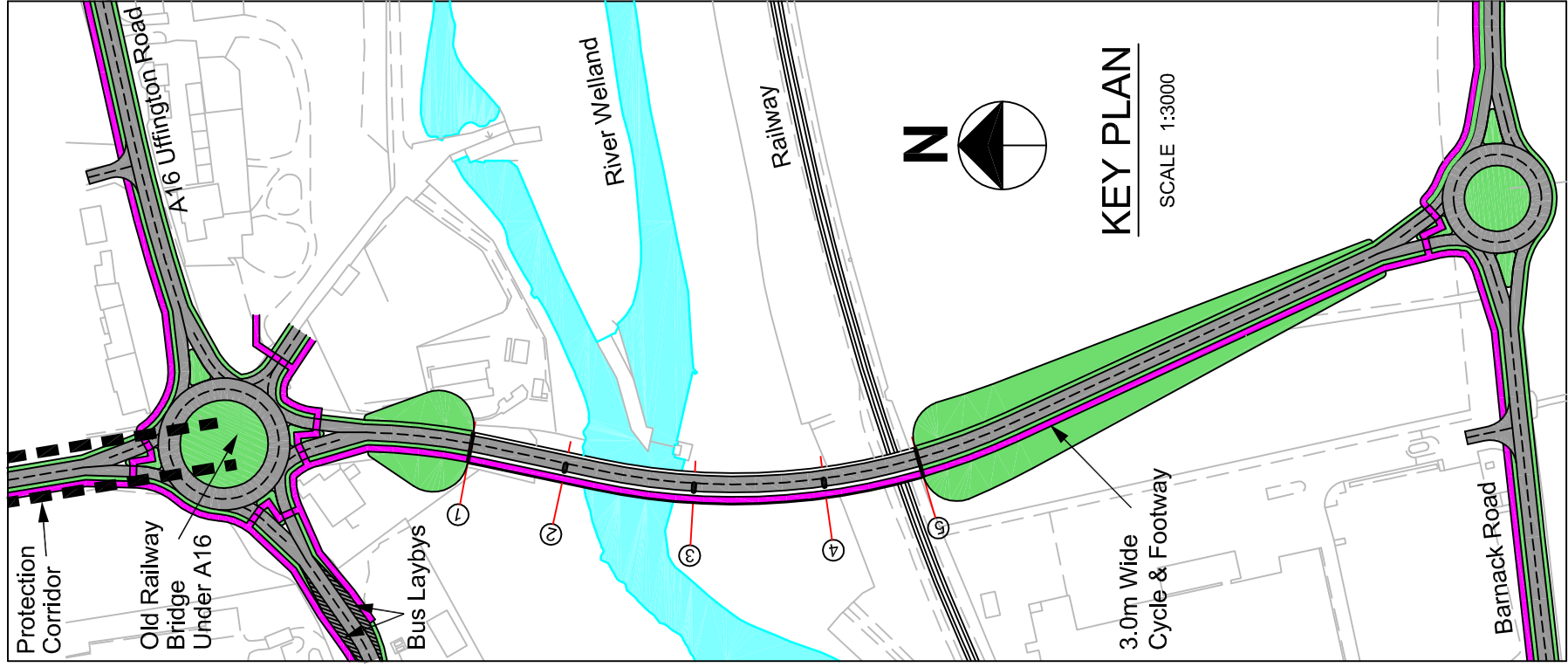
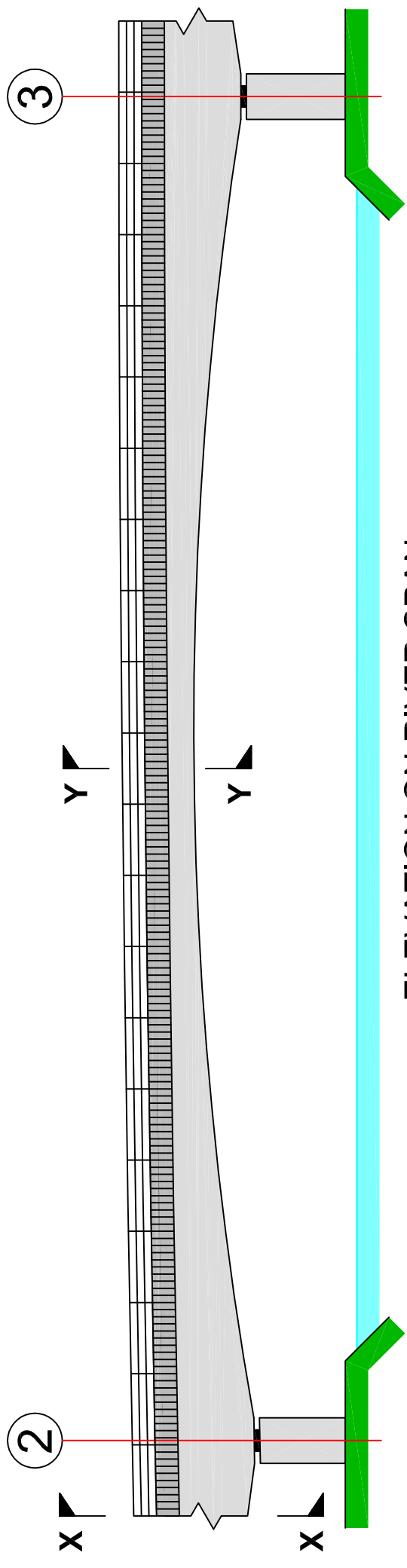


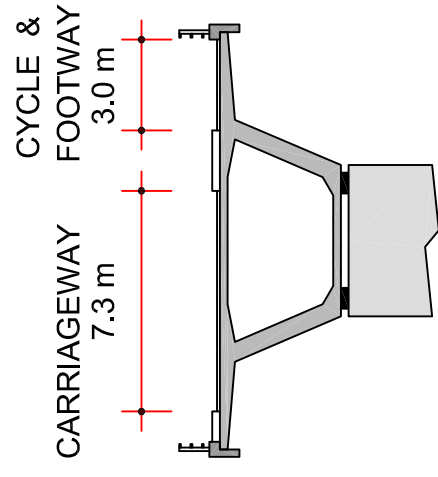
ELEVATION
SCALE 1:750



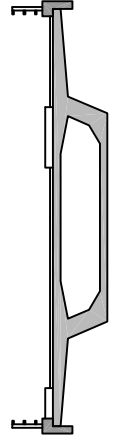
KEY PLAN
SCALE 1:3000



ELEVATION ON RIVER SPAN
SCALE 1:250



SECTION X-X AT PIER
SCALE 1:250



SECTION Y-Y AT MIDSPAN
SCALE 1:250

Reproduced from the Ordnance Survey's Map of TF0406 and TF0407 with the permission of the Controller of Her Majesty's Stationery Office. Crown Copyright Reserved.
Date: 24 July 2006
Licence No: AL100004926



CONCEPT FOR STAMFORD SECOND TOWN BRIDGE		DRG NO	SCT28-1
DATE	SCALE	DRAWN	
27/11/07	Various	JHC	